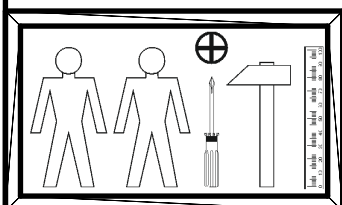
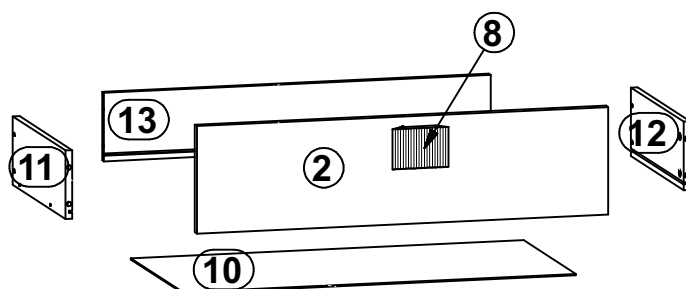
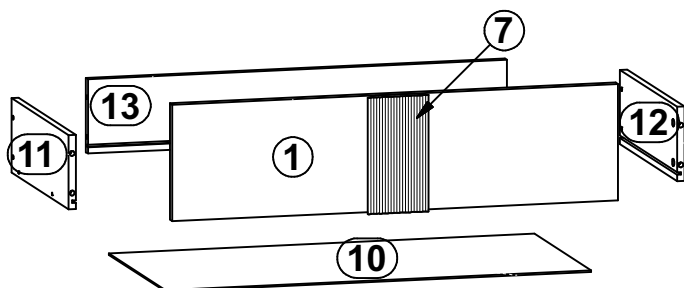
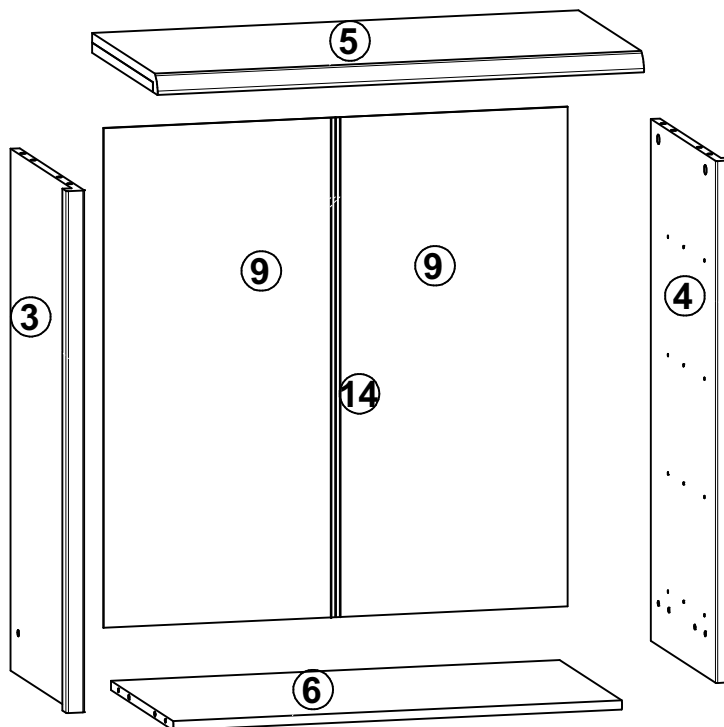
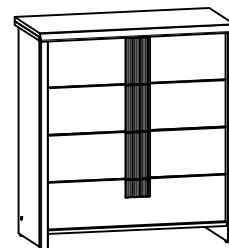


CAPS

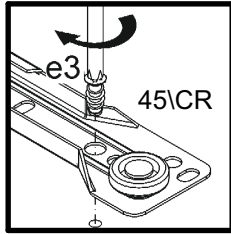
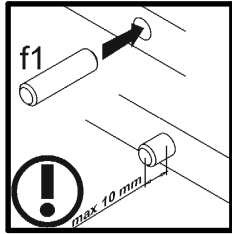
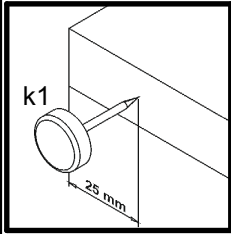
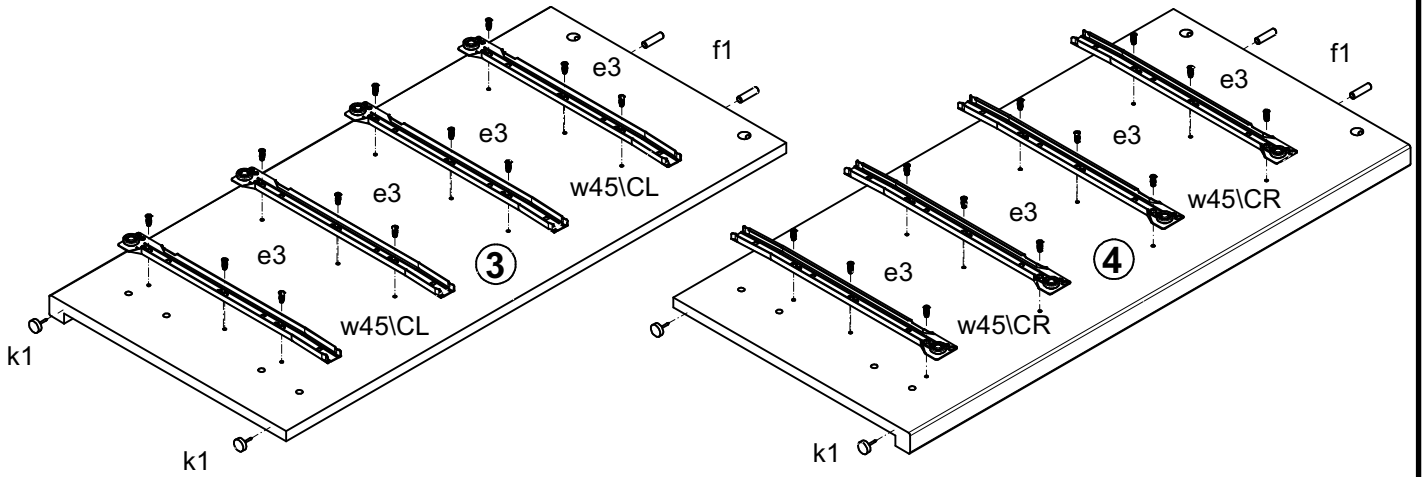
S153-KOM4S/80

| A | B | C | D | |
|----|-----------|-----|-----|-----|
| 1 | S153-0001 | 733 | 188 | 1/2 |
| 2 | S153-0002 | 733 | 188 | 1/2 |
| 3 | S153-1101 | 843 | 399 | 1/2 |
| 4 | S153-1102 | 843 | 399 | 1/2 |
| 5 | S153-2201 | 804 | 403 | 1/2 |
| 6 | S153-3301 | 738 | 383 | 1/2 |
| 7 | S153-571 | 188 | 100 | 2/2 |
| 8 | S153-572 | 70 | 100 | 2/2 |
| 9 | S153-9901 | 807 | 381 | 1/2 |
| 10 | S153-9902 | 700 | 348 | 1/2 |
| 11 | ZS2-511 | 350 | 120 | 1/2 |
| 12 | ZS2-512 | 350 | 120 | 1/2 |
| 13 | ZS2-5583 | 689 | 120 | 1/2 |
| 14 | LH-777 | 777 | 14 | 1/2 |

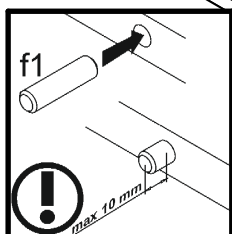
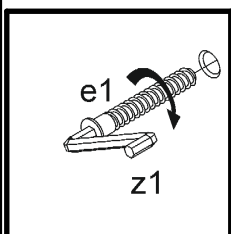
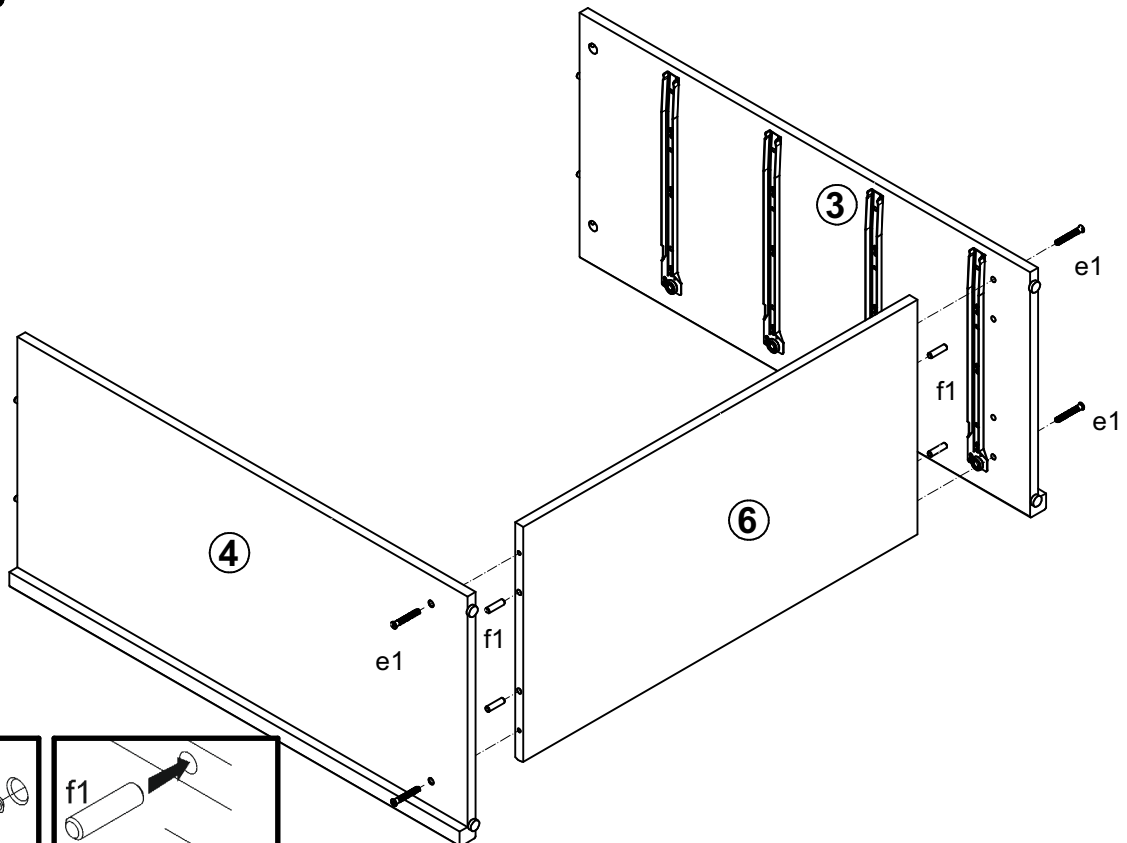


| | | | | | | | | |
|---------------------------|------------------------------|-----------------------|----------------------|--------------------------|------------------------|------------------------|-------------------------|-----------------------|
| 4x φ7x50 mm e1 | 16x φ5x9 mm e19 | 24x φ6x13 mm e3 | 8x φ8x30 mm f1 | 16x φ6,5x40 mm f25 | 4x k1 | 35x l1 | 8x φ3,5x16 mm p25 | 8x φ4x22 mm p60 |
| 4x φ1,5x12mm #16 r1 | 16x φ12x10,5mm #12 r15 | 20x r42 | 4x 333 mm t19 | 4x 350 mm w45\CL | 4x 350 mm w45\CR | 4x 350 mm w45\DL | 4x 350 mm w45\DR | 1x z1 |
| 1x n26\1 | 1x φ3,5x16 mm p38 | 4x s1 | 2x ø16 s2 | | | | | |

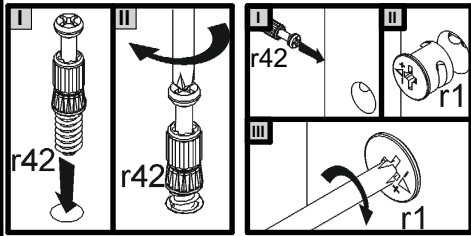
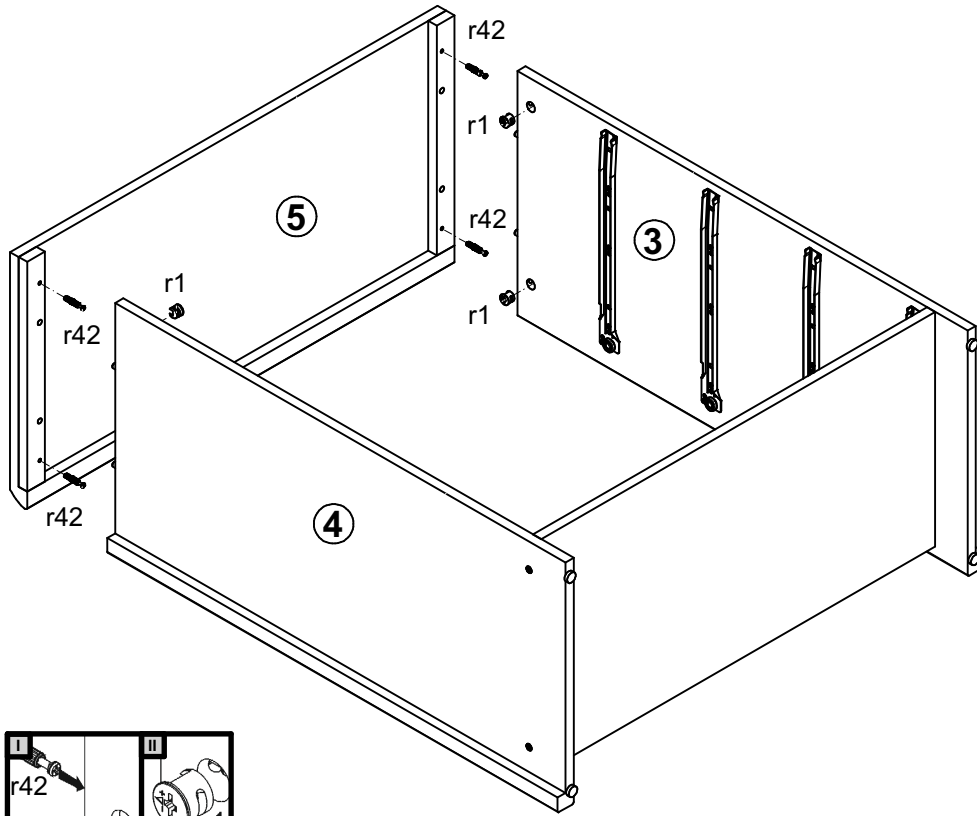
1



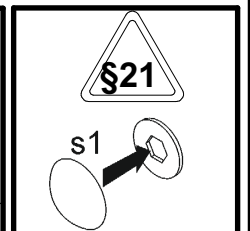
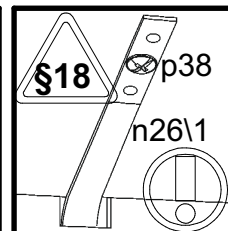
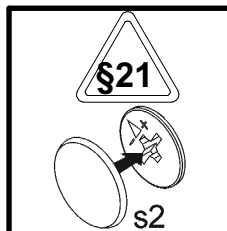
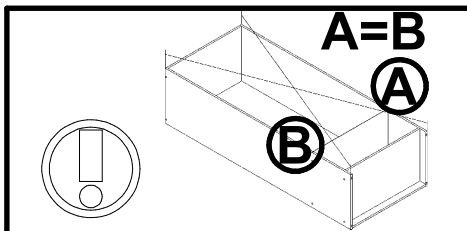
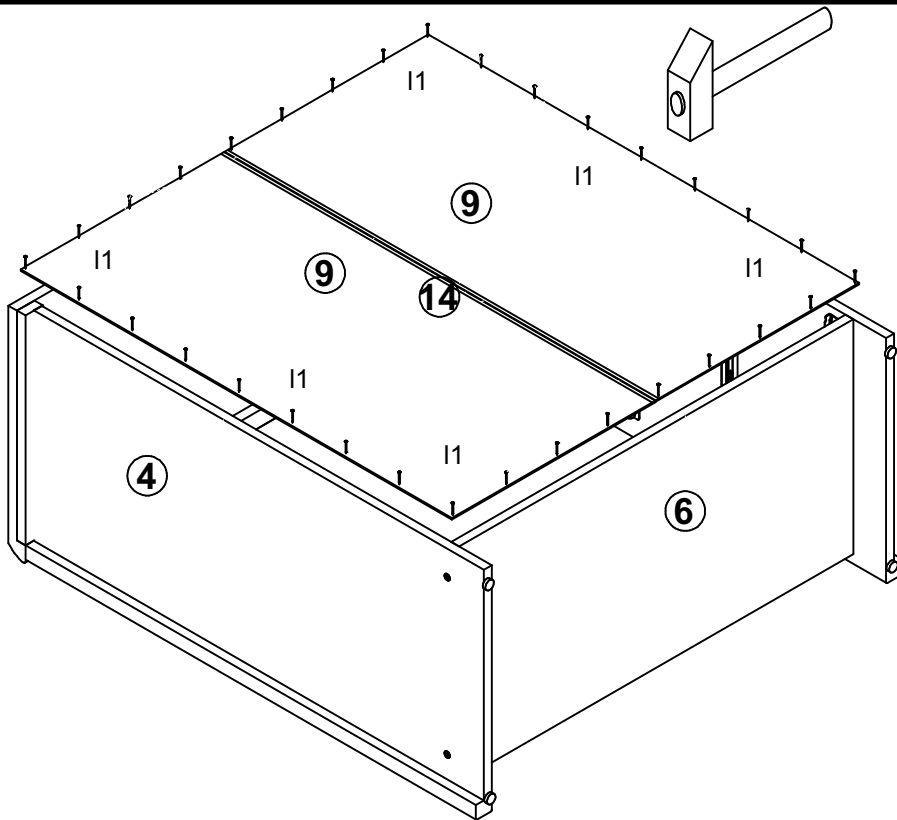
2



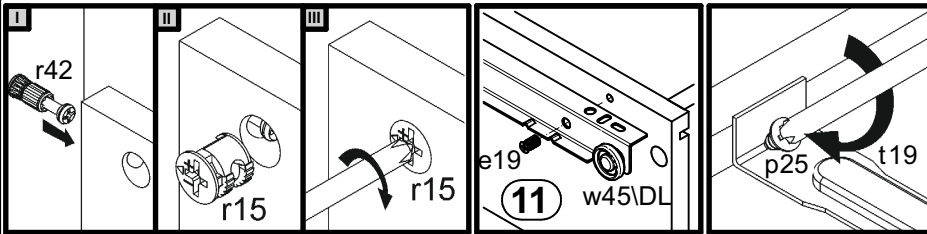
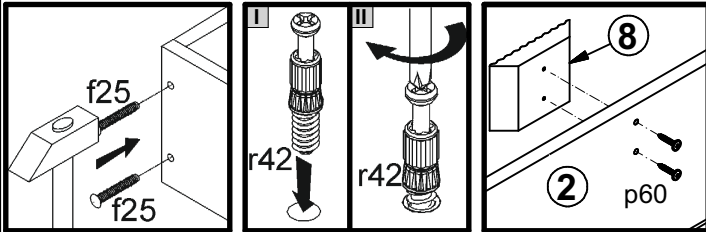
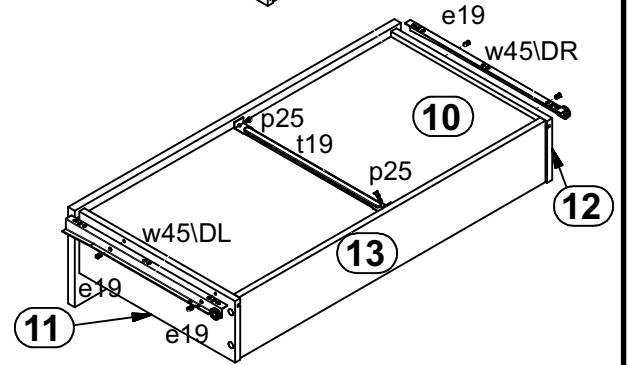
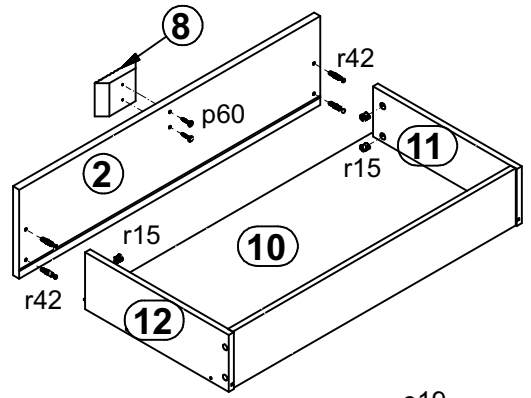
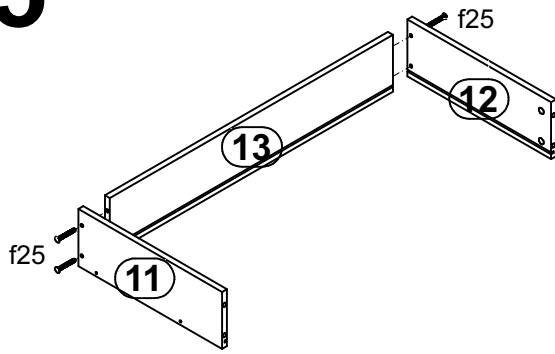
3



4



5



6

